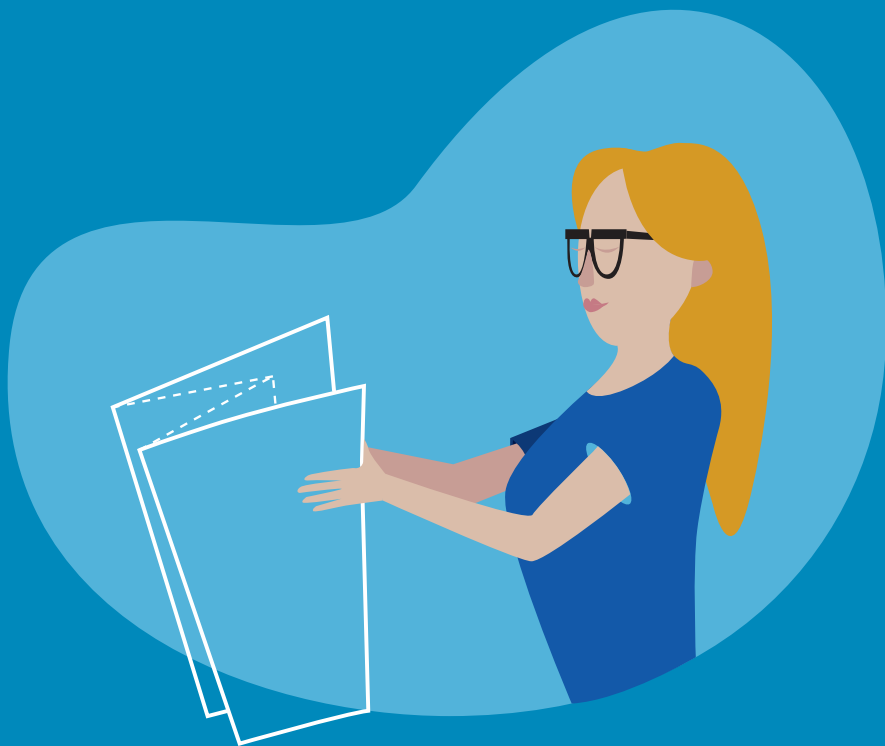
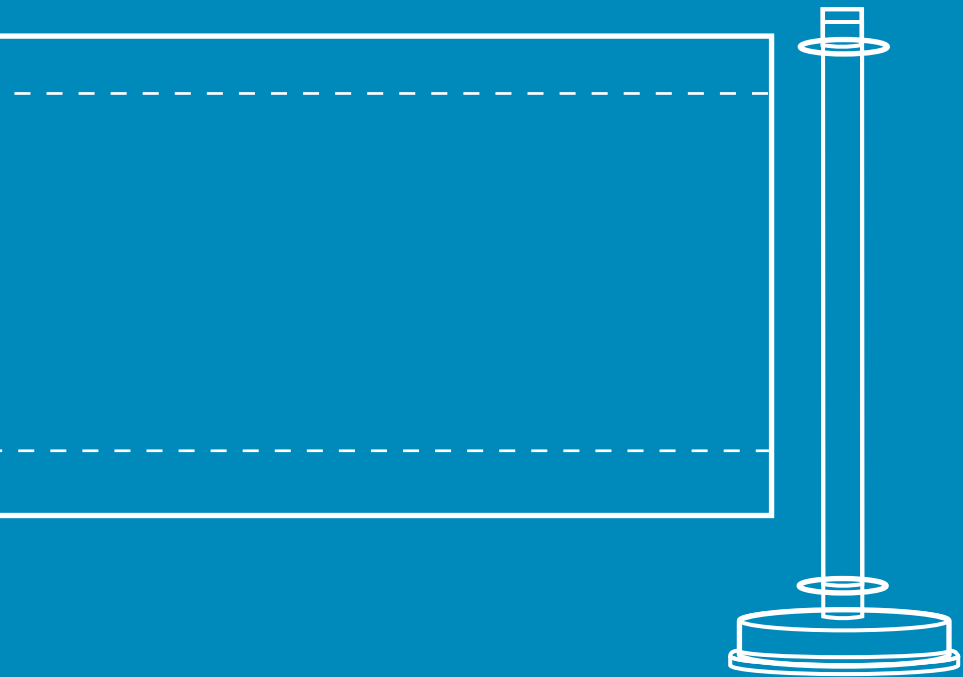


Space Planning & Buying Guidelines.





Hello.

Welcome to Outdoor Display's Space Planning and Buying Guide. Please take five minutes to read this guide before making your equipment selections using our step by step online ordering system.

This guide is designed to assist you in configuring your café barrier layout to best suit your available space:



Visit our website for more helpful guides and videos including our assembly video and downloadable signage.

www.outdoordisplay.co.uk/guidance

How we sell barriers.

Step 1: Metalwork

Step one of our online ordering process is metalwork, this consists of bases, posts and crossbeams. Bases & posts are sold together as you will always require the same amount and finish for both of these components. If you require a single single component then you can easily order this at Step 3.

Step 2: Banners

Once you have selected your required framework simply click next and you will be directed to the banners step. In this window you will firstly be asked which of the three materials you would like, after you have selected an option you are asked to choose a quantity of each print type (**Bespoke Colour Match, Bespoke Artwork Double Sided and Bespoke Artwork Single Sided**) and size (**1.0M,1.5M,2.0M**). Finally you will be asked how many unique designs you are planning to use, a formatting fee is applied for each.

Step 3: Spares

If you require any of the following in addition to those supplied as standard then you can order a quantity of them using this step:

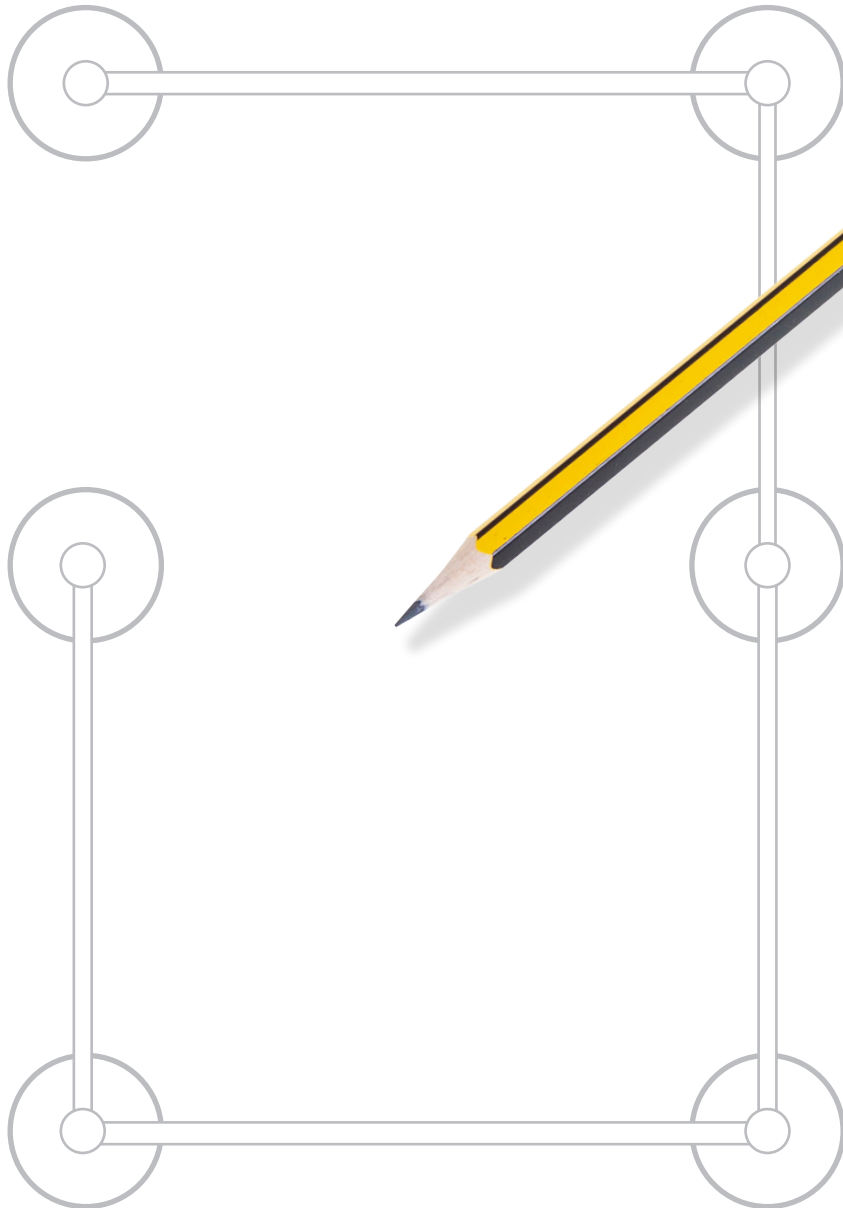
Bases	Spring Clips	Nuts & Bolts
Posts	Beam End Clamps	
Crossbeams	Wall Hooks	

You can skip this step if you do not require any additional spares.

The screenshot shows the 'Banners' step of the ordering process. It is divided into two columns: 'Bases' and 'Banners'. Under 'Banners', there are two main sections: '1. Material' and '2. Print'. In the '1. Material' section, three options are shown: 'PVC', 'PVC Mesh', and 'Canv'. In the '2. Print' section, two options are shown: 'Block Colour Match' and 'Bespoke Artwork Single Sided +£10pi'. Below these options, there are input fields for quantity and price per item (pi) for three sizes: 1M, 1.5M, and 2M. At the bottom, there is a section for '3. Number of unique Artwork Designs' with an input field set to '4' and a price of '+£20 per unique artwork'. The total price shown is '£505.00'.

Bases		Banners	
Step 2			
Banners			
1. Material			
PVC	PVC Mesh	Canv	
2. Print			
Block Colour Match	Bespoke Artwork Single Sided +£10pi	Bespoke Artwork Double Sided +£10pi	
1M Quantity: <input type="text" value="3"/>	£5pi	1M Quantity: <input type="text" value="3"/>	£10pi
1.5M Quantity: <input type="text" value="2"/>	£10pi	1.5M Quantity: <input type="text" value="2"/>	£15pi
2M Quantity: <input type="text" value="2"/>	£15pi	2M Quantity: <input type="text" value="2"/>	£20pi
3. Number of unique Artwork Designs: <input type="text" value="4"/> <i>i</i> +£20 per unique artwork			
£505.00		Resto	

Drawing Your Plan.



Why is this necessary?

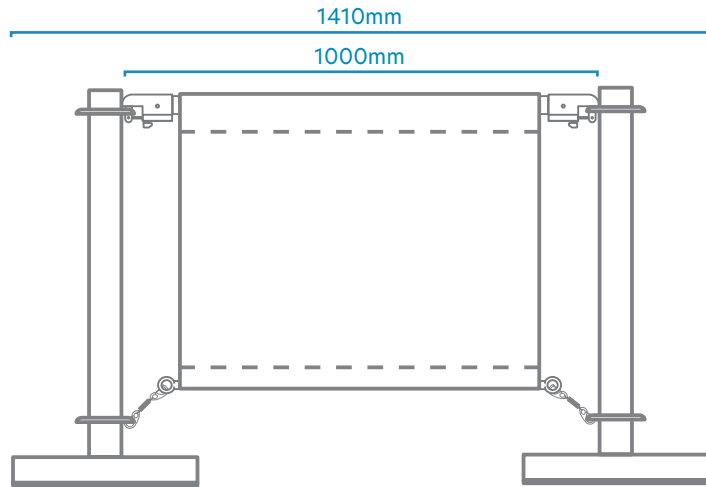
Drawing a scale plan of your space and populating it with your café barrier layout helps to visualise the best way of utilising the equipment. It is important to make reference to the precise dimensions of each barrier, which are provided on the next page.

It is also paramount to understand how many of each component you require.

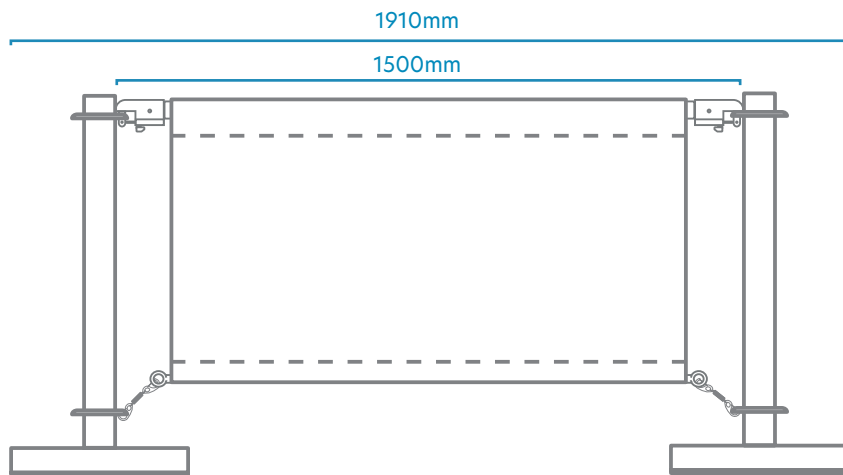


Dimensions.

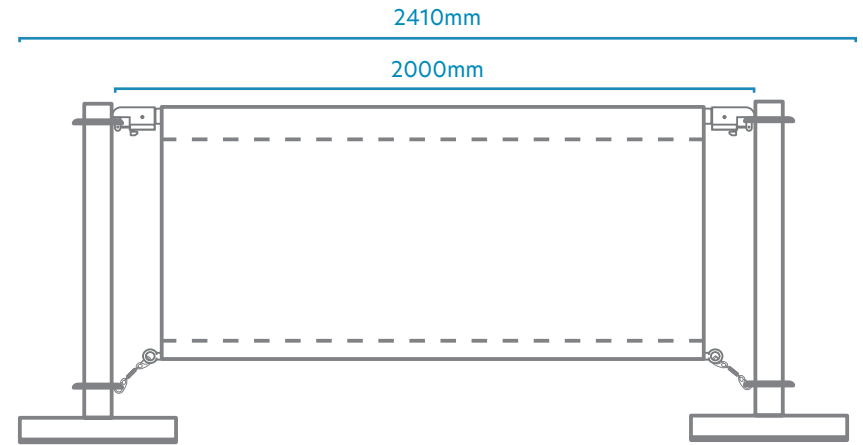
1.0M Barrier Assembled



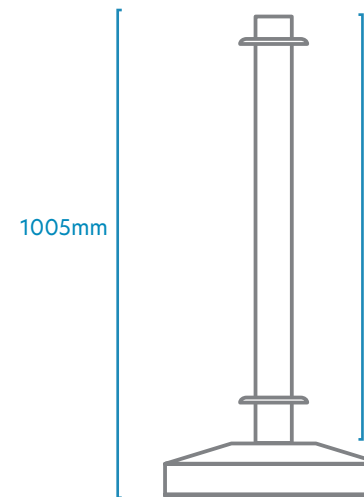
1.5M Barrier Assembled



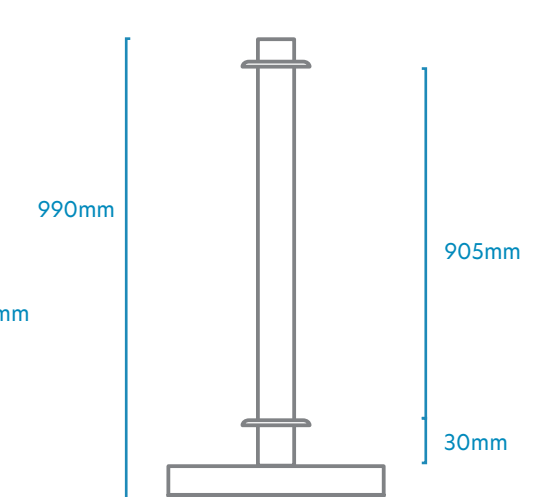
2.0M Barrier Assembled



15KG Base Assembled



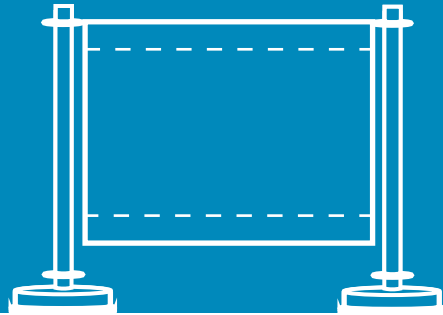
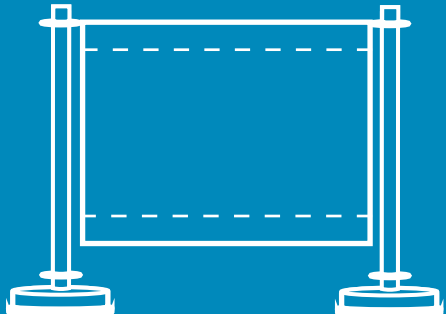
10KG Base Assembled



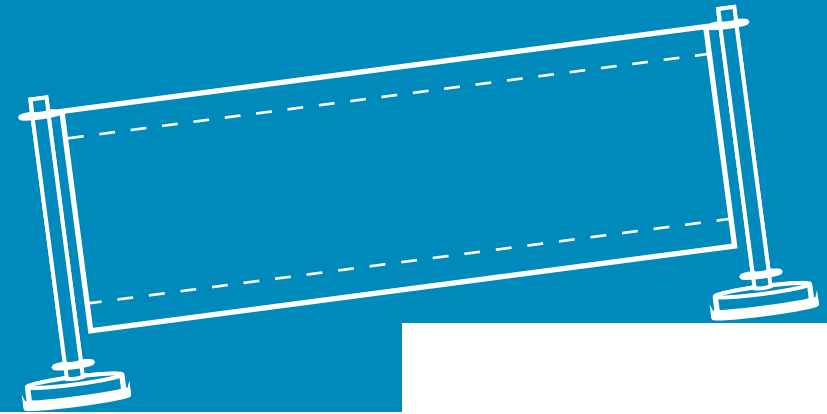
For all dimensions see the dimensions guide at www.outdoordisplay.co.uk/guidance

Gradients & Levelling.

DO

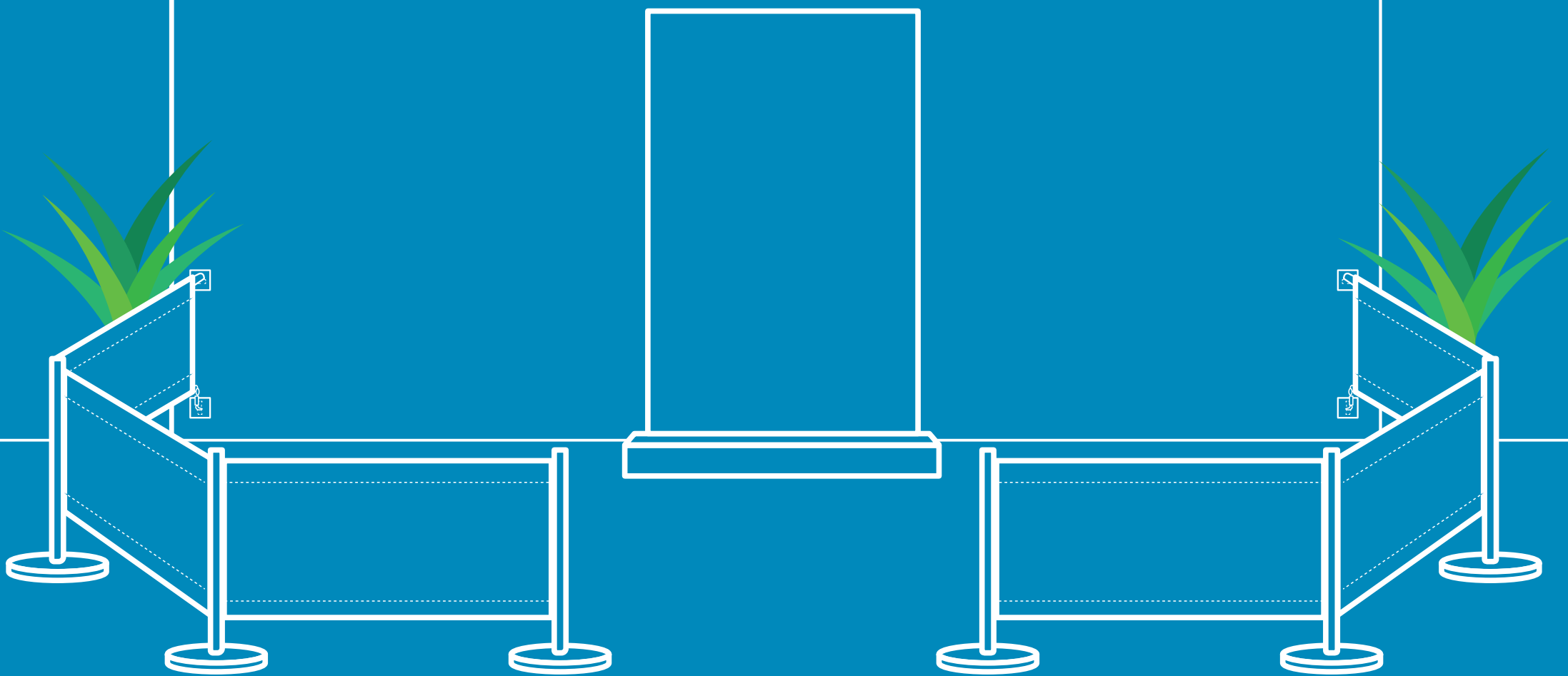


DON'T



Our café barrier system is designed for use on level surfaces. Do not use cafe barriers in areas with extreme gradients or loose surfaces. If you wish to use café barriers on stepped levels please note that you may require additional posts.

Linked banners must be placed on the same level.



Example Layout Contains:

2.0M Banner x2	10KG Base Black x6
1.5M Banner x2	Posts Black x6
1.0M Banner x2	Wall Hooks x4

What are they good for?

- Shelter for seated areas in exposed spaces.
- Demarcation of boundaries.
- Queuing systems.
- Highlighting entrances and exits.